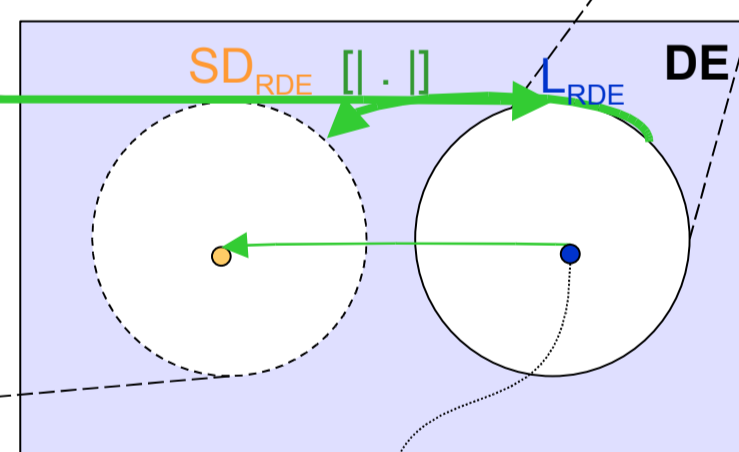
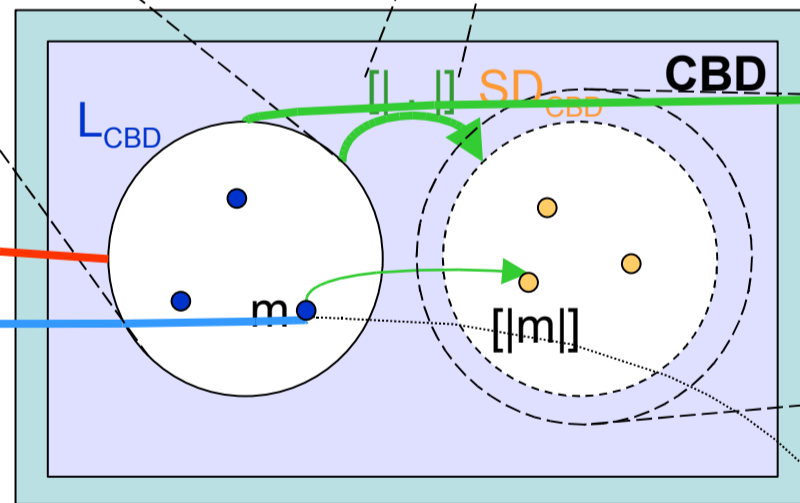
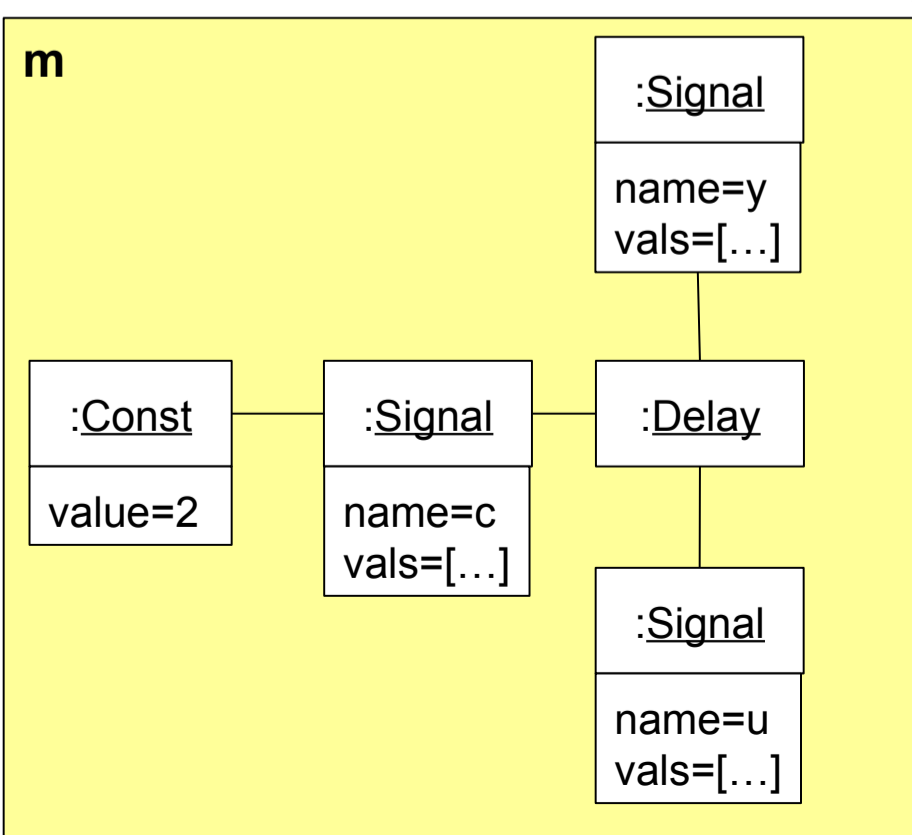
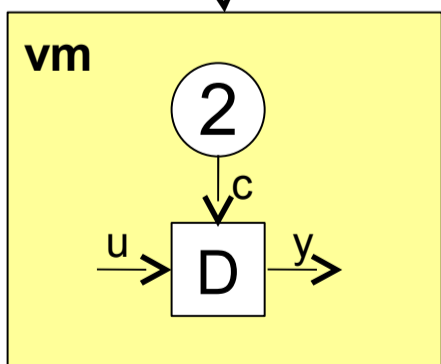


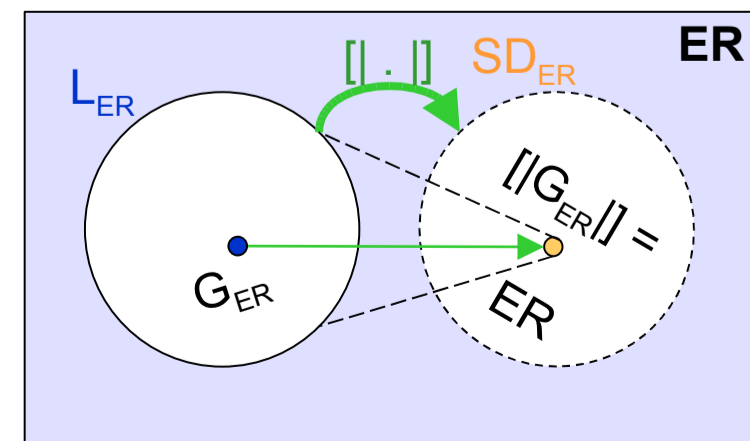
formalism



language



$(v(i+1)=u(i) \text{ for all } i > 0$
 $u(0)=2$



meta circularity