



chair (châr), *n.* [OF. *chaïere* (F. *chaire*), < L. *cathedra*: see *cathedra*.] A seat with a back, and often arms, usually for one person; a seat of office or authority, or the office itself; the person occupying the seat or office, esp. the chairman of a meeting; a sedan-chair; a chaise†; a metal block or clutch to support and secure a rail in a railroad.

Megamodeling and Etymology

Kleidi Ismailaj

Megamodelling and Etymology

- **Part 1:** *Meta-Muddle + meaning of 'model'*
- **Part 2:** Megamodelling and concepts
- **Part 3:** Megamodelling and Etymology

The Meta-Muddle

- **What is a model?**

- Polysemic word
- Depends on context
- Leads to misunderstanding and confusion
- Two different senses used in the same sentence

- **Is the model of a model a metamodel?**

- Cannot answer without knowing what a 'model' is

The Meta-Muddle

- **Study of the etymology of 'Model'**
- **Four sources of knowledge:**
 - Encyclopedias
 - Dictionaries
 - Thesauri
 - Etymology
- **Four groups of meanings:**
 - Model-as-representation
 - Model-as-example
 - Model-as-type
 - Model-as-mold

Tracking the meaning

- **Encyclopedia**

- A model of the knowledge of mankind
- Model: “A 3-dimensional, typically small construction, intended to illustrate, explain, or discover certain properties of its prototype, the subject that it represents.”



Tracking the meaning

• Dictionary

- A model of the language

mod·el  (mɒd'l)

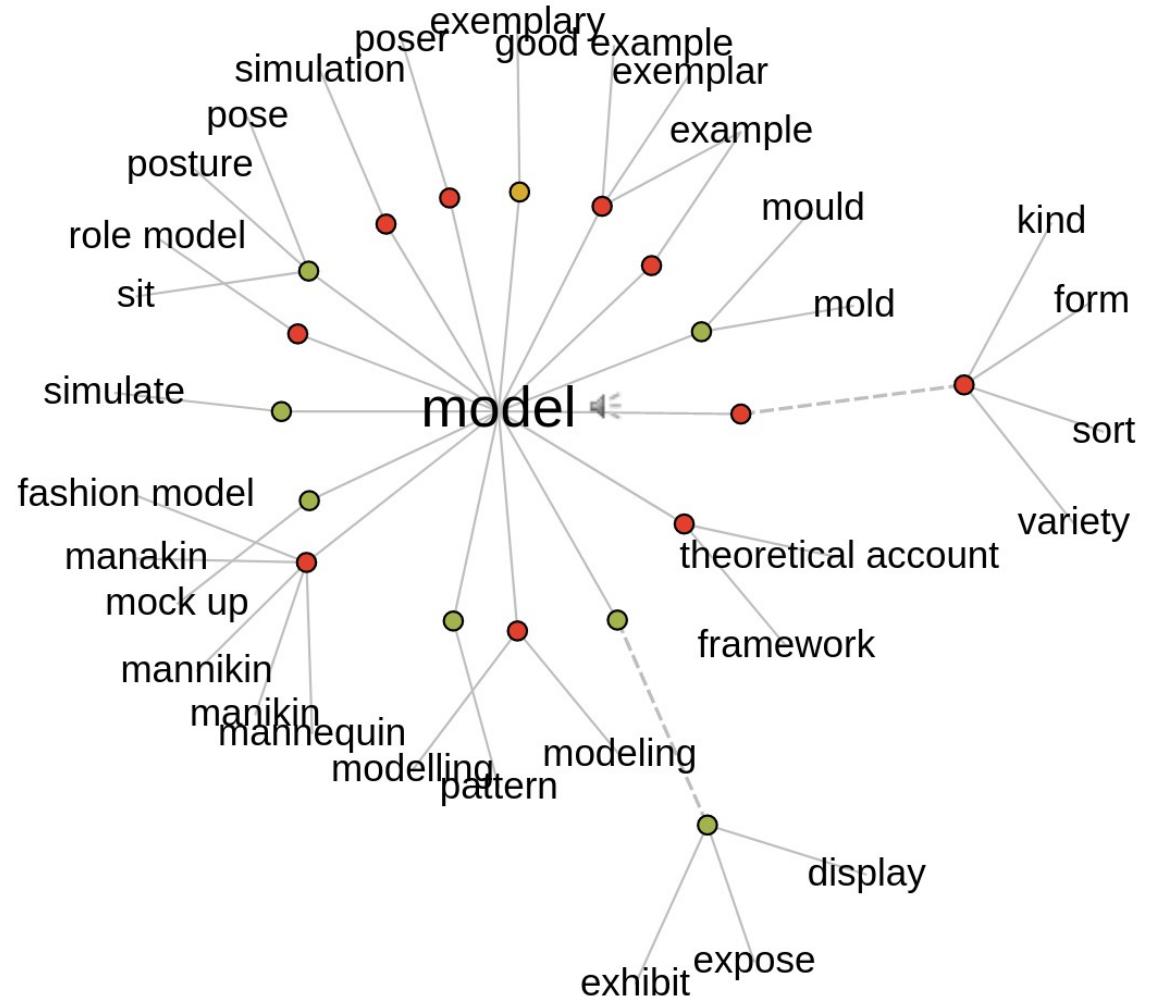
n.

1. A small object, usually built to scale, that represents in detail another, often larger object.
2.
 - a. A preliminary work or construction that serves as a plan from which a final product is to be made: *a clay model ready for casting.*
 - b. Such a work or construction used in testing or perfecting a final product: *a test model of a solar-powered vehicle.*
3. A schematic description or representation of something, especially a system or phenomenon, that accounts for its properties and is used to study its characteristics: *a model of generative grammar; a model of an atom; an economic model.*
4. A style or design of an item: *My car is last year's model.*
5. One serving as an example to be imitated or compared: *a model of decorum.* See Synonyms at [ideal](#).
6.
 - a. One that serves as the subject for an artist, especially a person employed to pose for a painter, sculptor, or photographer.
 - b. One that serves as the basis for a fictional character or place.
7. A person employed to display merchandise, such as clothing or cosmetics.
8. *Zoology* An animal whose appearance is copied by a mimic.

Tracking the meaning

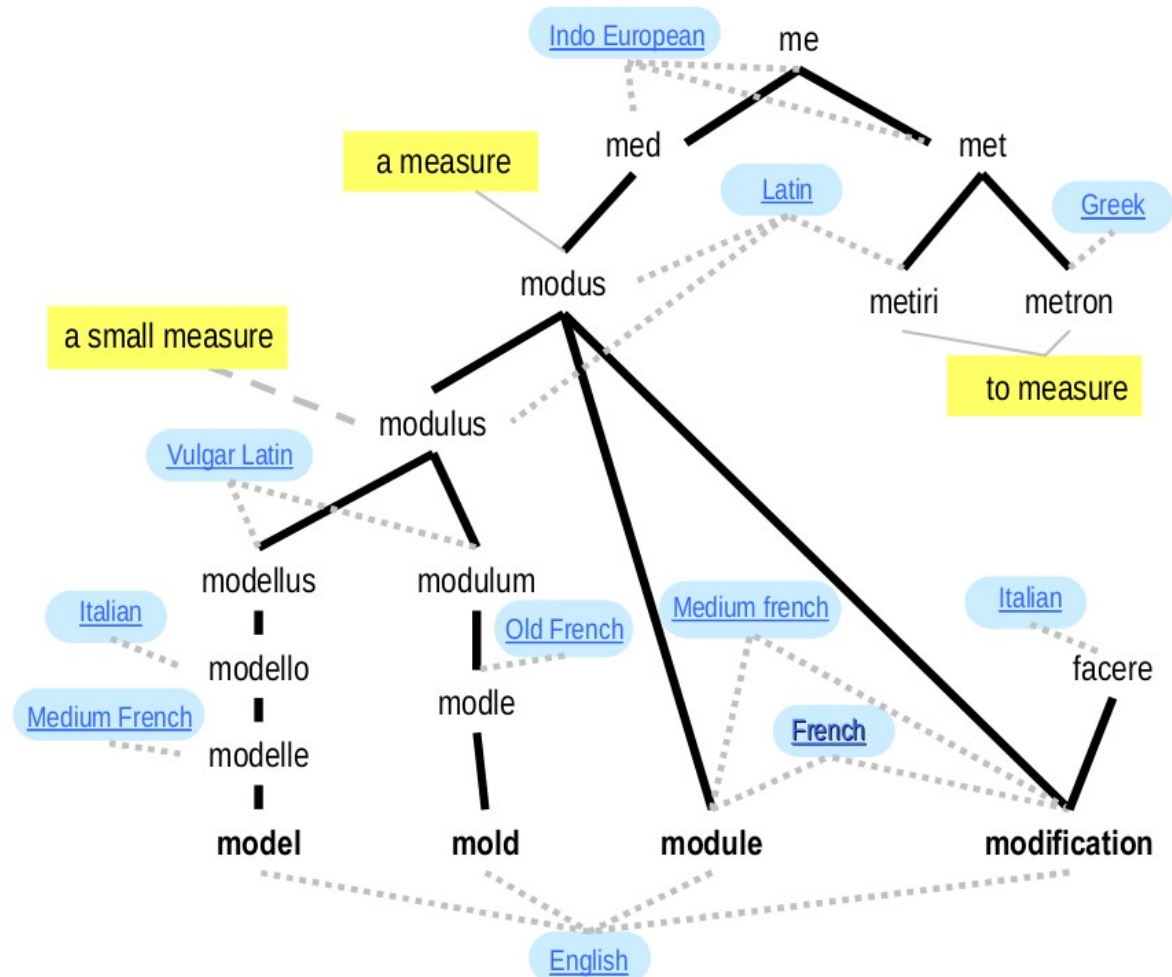
- **Thesaurus**

- List words in groups of synonyms and related concepts



Tracking the meaning

- **Etymology**
 - A model of the language dynamics



Megamodelling and Etymology

- **Part 1:** Meta-Muddle + meaning of 'model'
- **Part 2:** *Megamodelling and concepts*
- **Part 3:** Megamodelling and Etymology

Megamodeling

- **A model is:**

- A simplification of a system
- Built with an intended goal in mind
- Able to answer questions in place of the actual system

- **A metamodel is:**

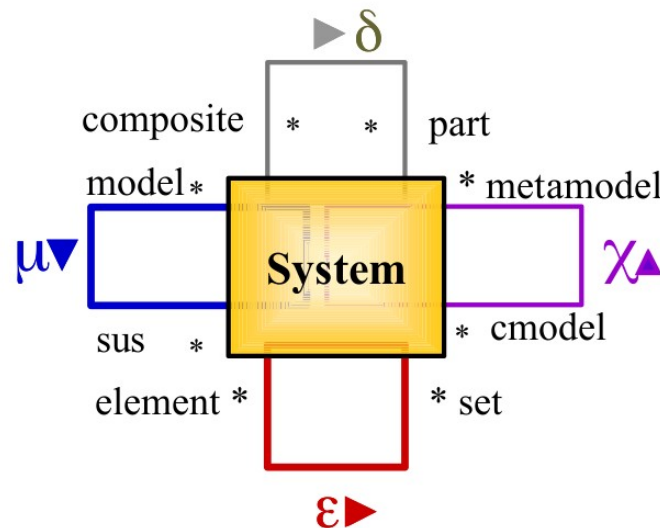
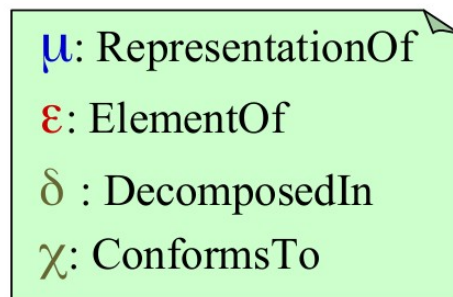
- A model of a modeling language
- A model of a language of models

***Language = Set of sentences**

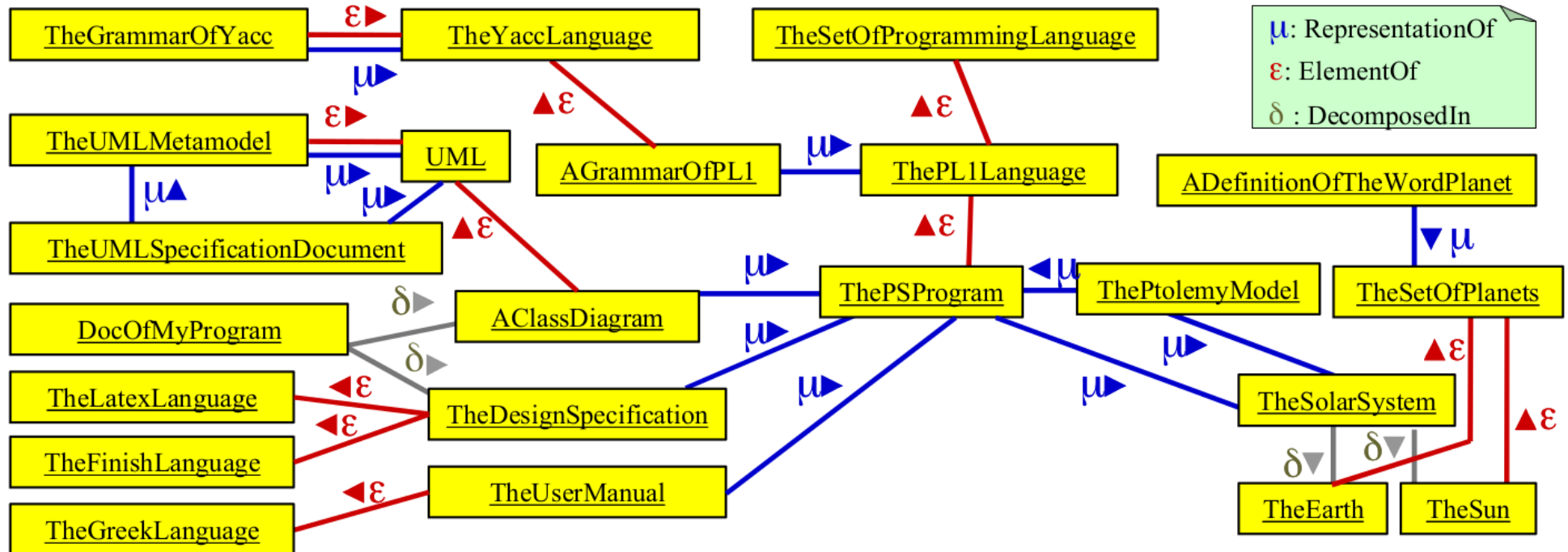
Megamodelling

- **A megamodel is:**

- A model whose elements represent models, metamodels and other global entities
- Considers global relationships without considering their content
- Represents complex arrangements without entering in details
- Not tied to a technical space / domain



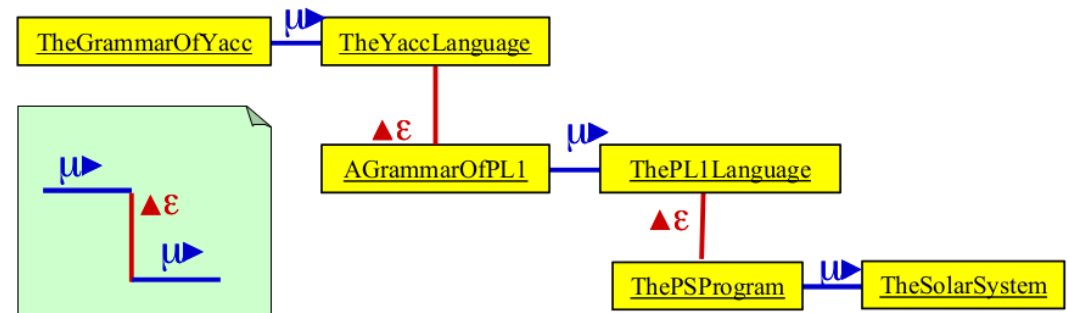
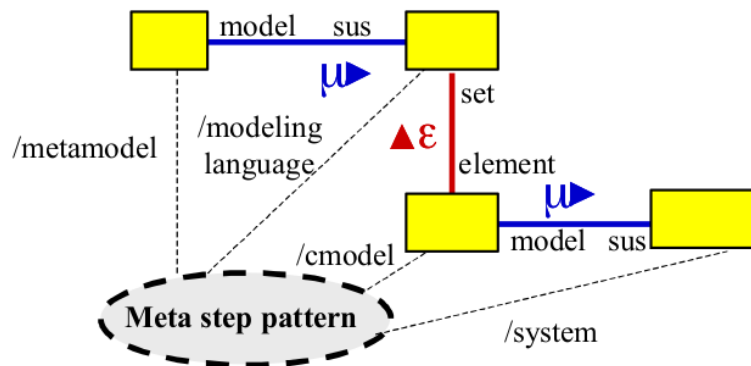
Megamodeling



Megamodeling

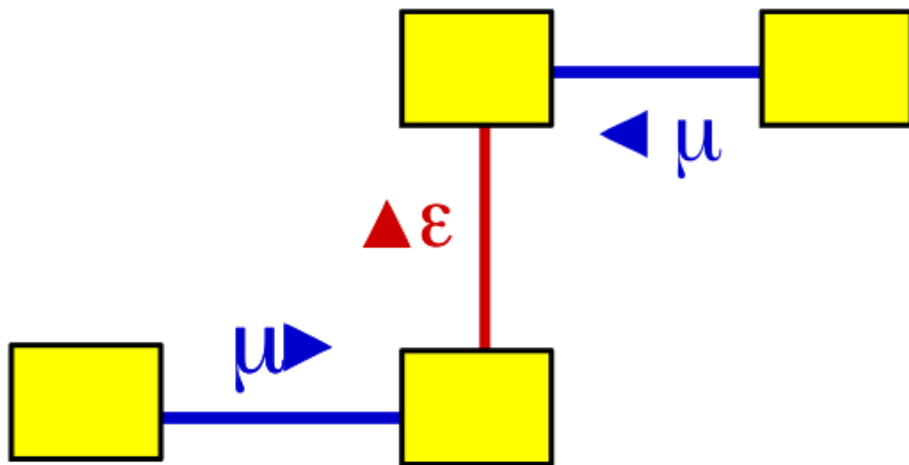
- **Mega-Patterns:**

- Recurrent pattern that defines a collaboration between some systems in a megamodel



Megamodeling

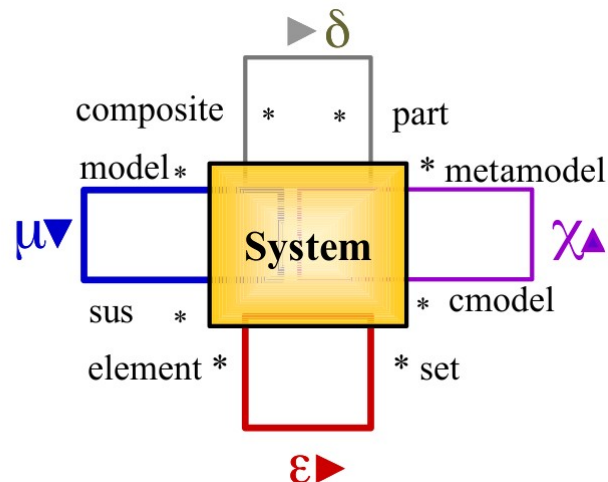
S-Pattern



Megamodeling

- **Key Principle:**

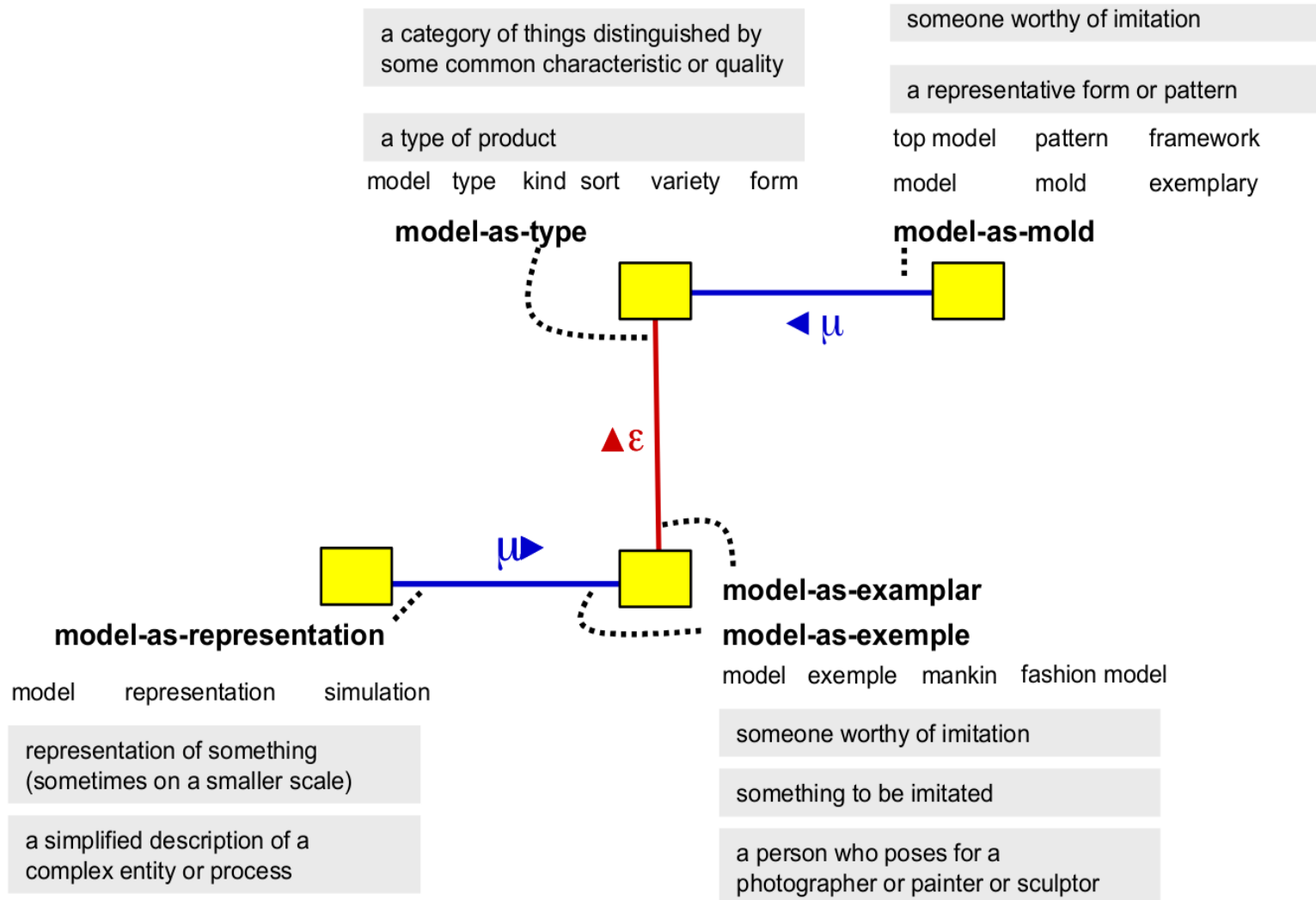
- **Everything is a system!**
- Being a model is **just a role**
- Nothing is a model, but **Everything could serve as a model**



Megamodelling and Etymology

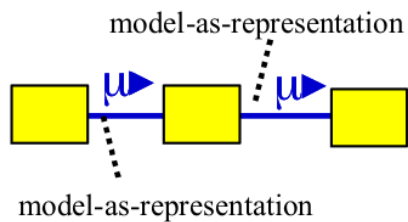
- **Part 1:** Meta-Muddle + meaning of 'model'
- **Part 2:** Megamodelling and concepts
- **Part 3:** *Megamodelling and Etymology*

Megamodeling and Etymology

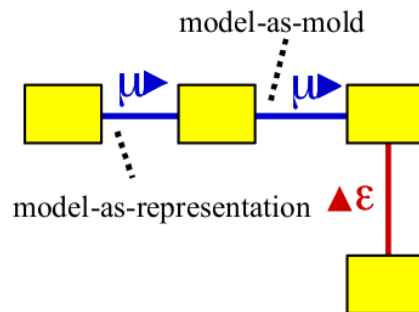


Megamodeling and Etymology

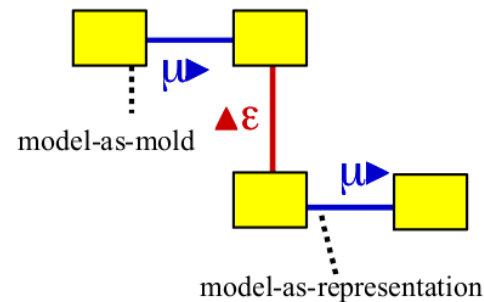
- **Is the model of a model a metamodel?**
 - Not always!



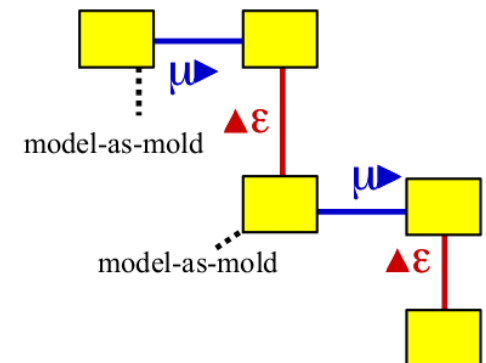
(a) model-as-representation of a model-as-representation



(b) model-as-representation of a model-as-mold

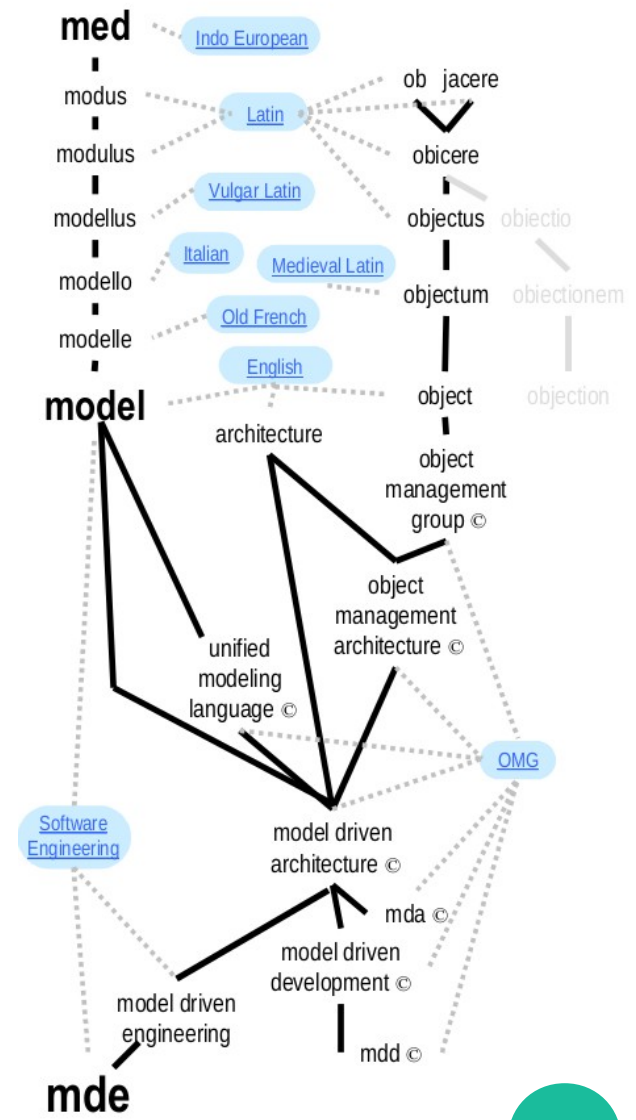
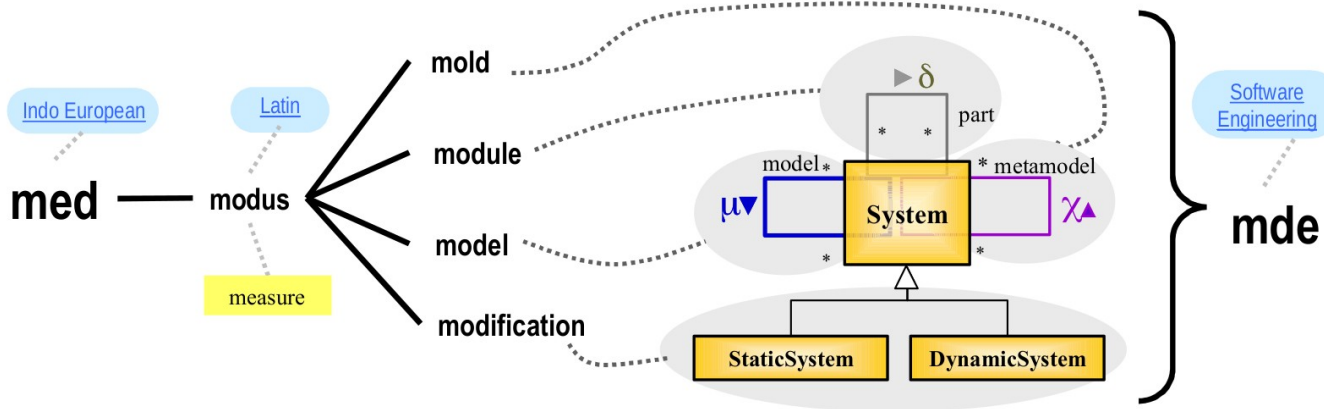


(c) model-as-mold of a model-as-representation



(d) model-as-mold of a model-as-mold

Megamodeling and Etymology



Questions?