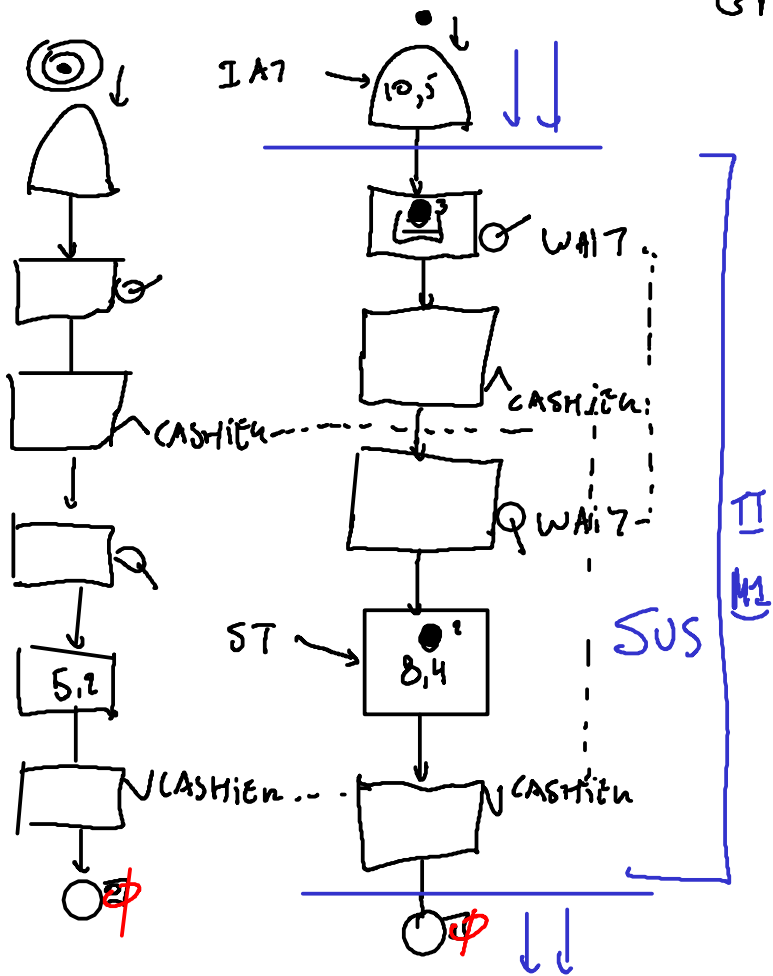
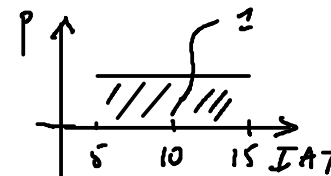
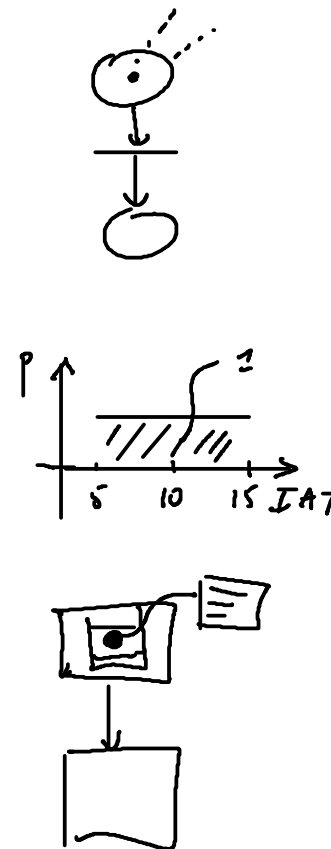


GPSS GORDON

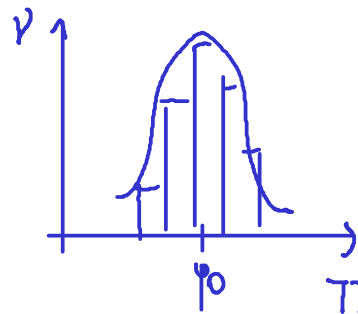
"TRANSACTIONS"



MODEL	
GENERATE	10,5
QUEUE	WAIT
SEIZE	CASHIER
DEPART	WAIT
ADVANCE	8,4
RELEASE	CASHIER
TERMINATE	1
GENERATE	1,0
TERMINATE	1
EXPERIMENT	10000
START	100 → 95 → 98 ... → φ
	Sim END



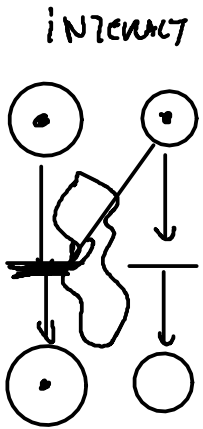
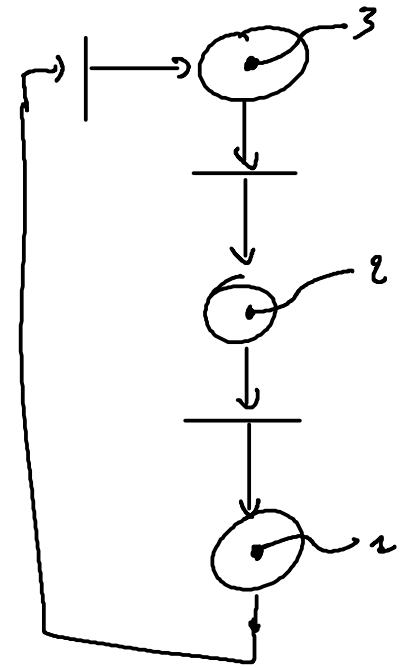
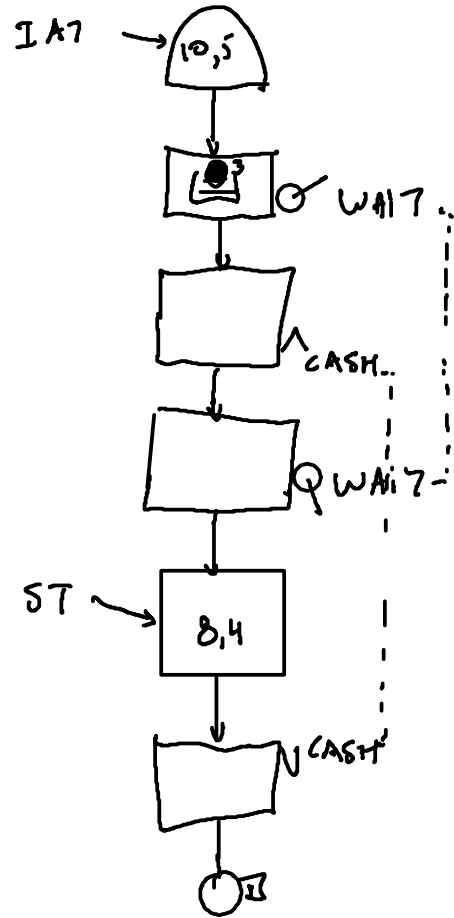
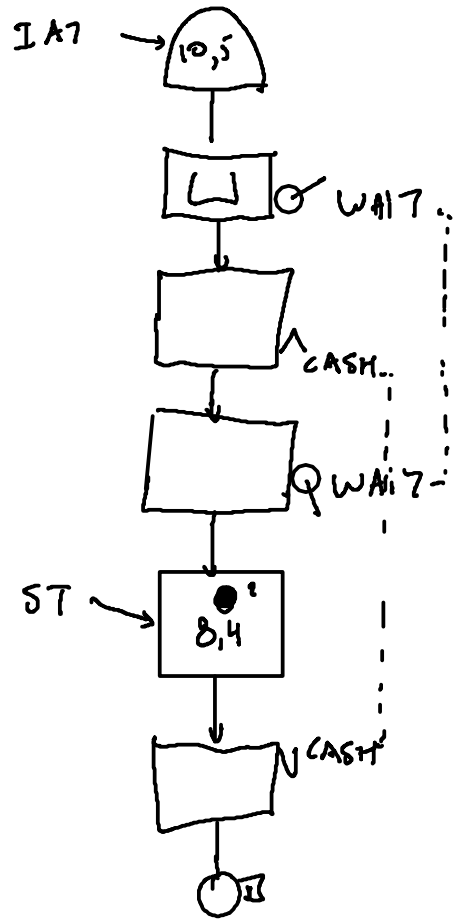
OPERATIONAL
PSEUDO-CODE
DATA STRUCT/ALG

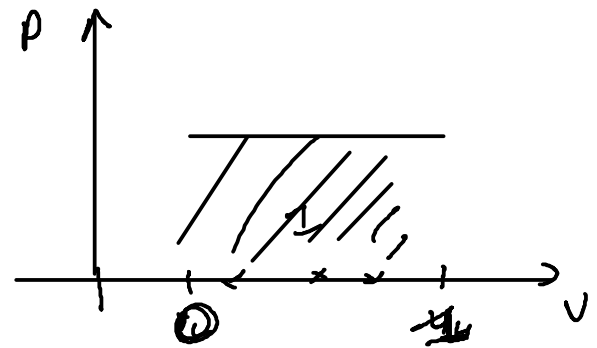
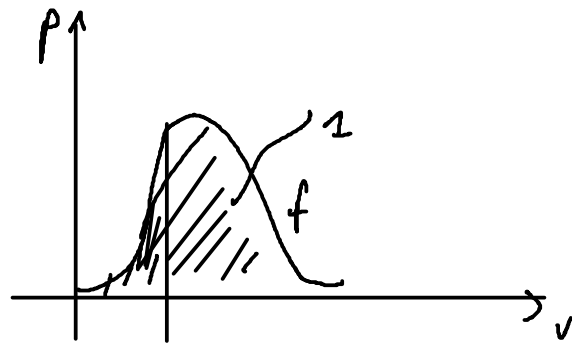


π

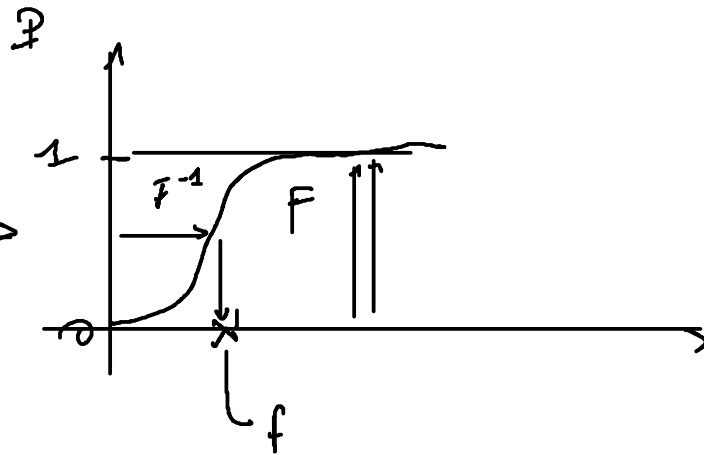
π CALCULUS

CSP





$U[0,1]$



$F^{-1}(U[0,1])$

f