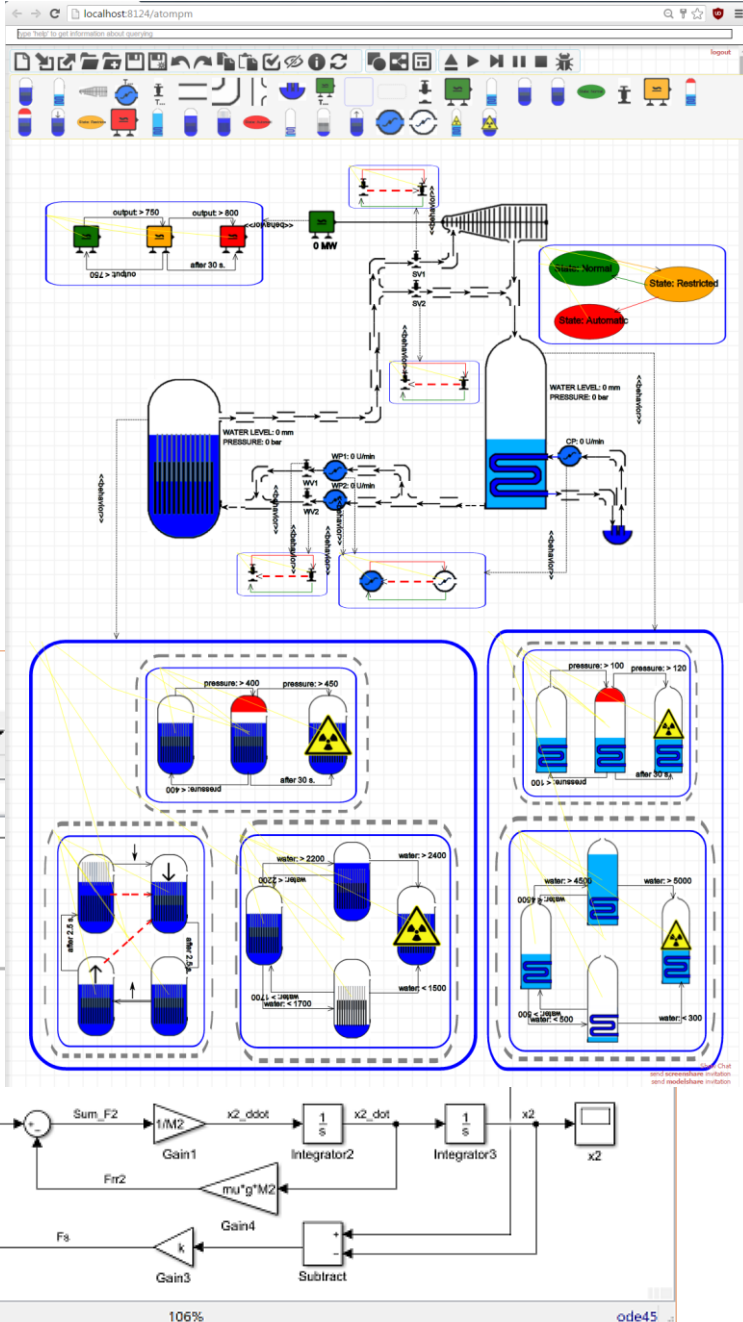
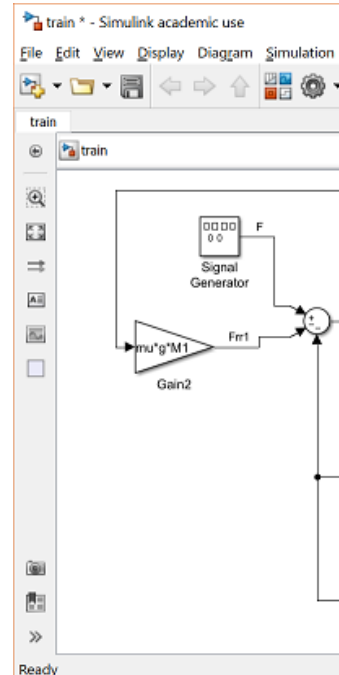
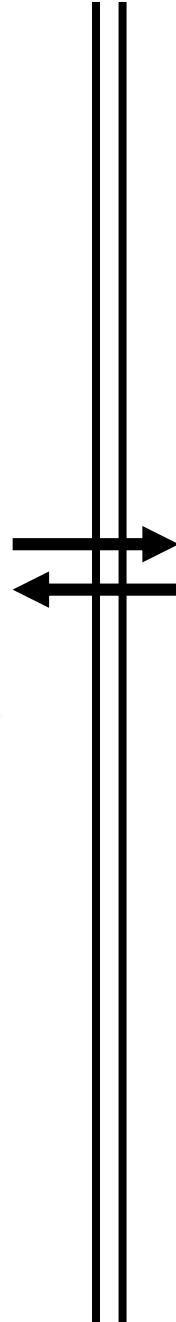
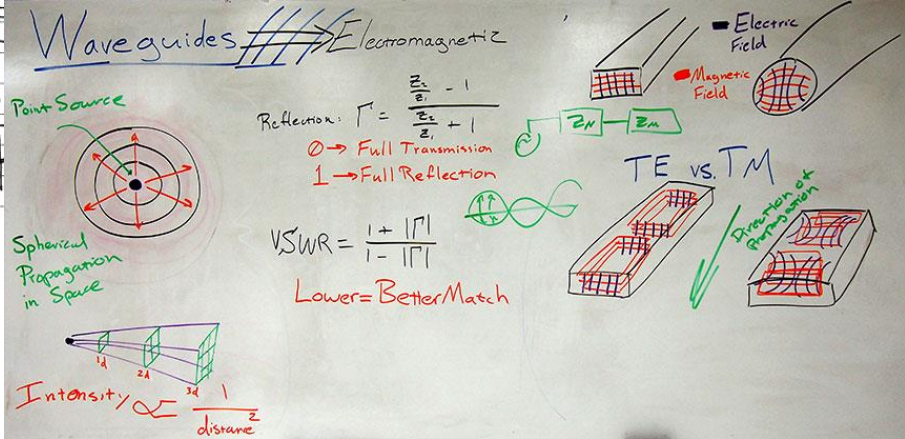
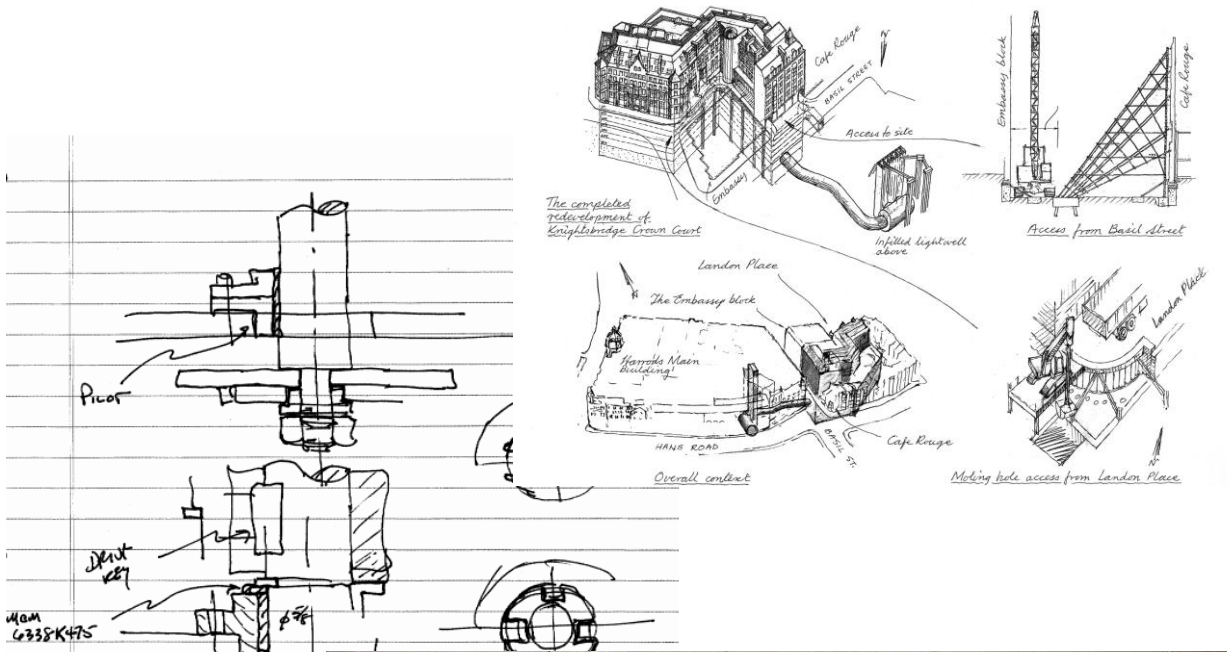


Next Gen Tooling

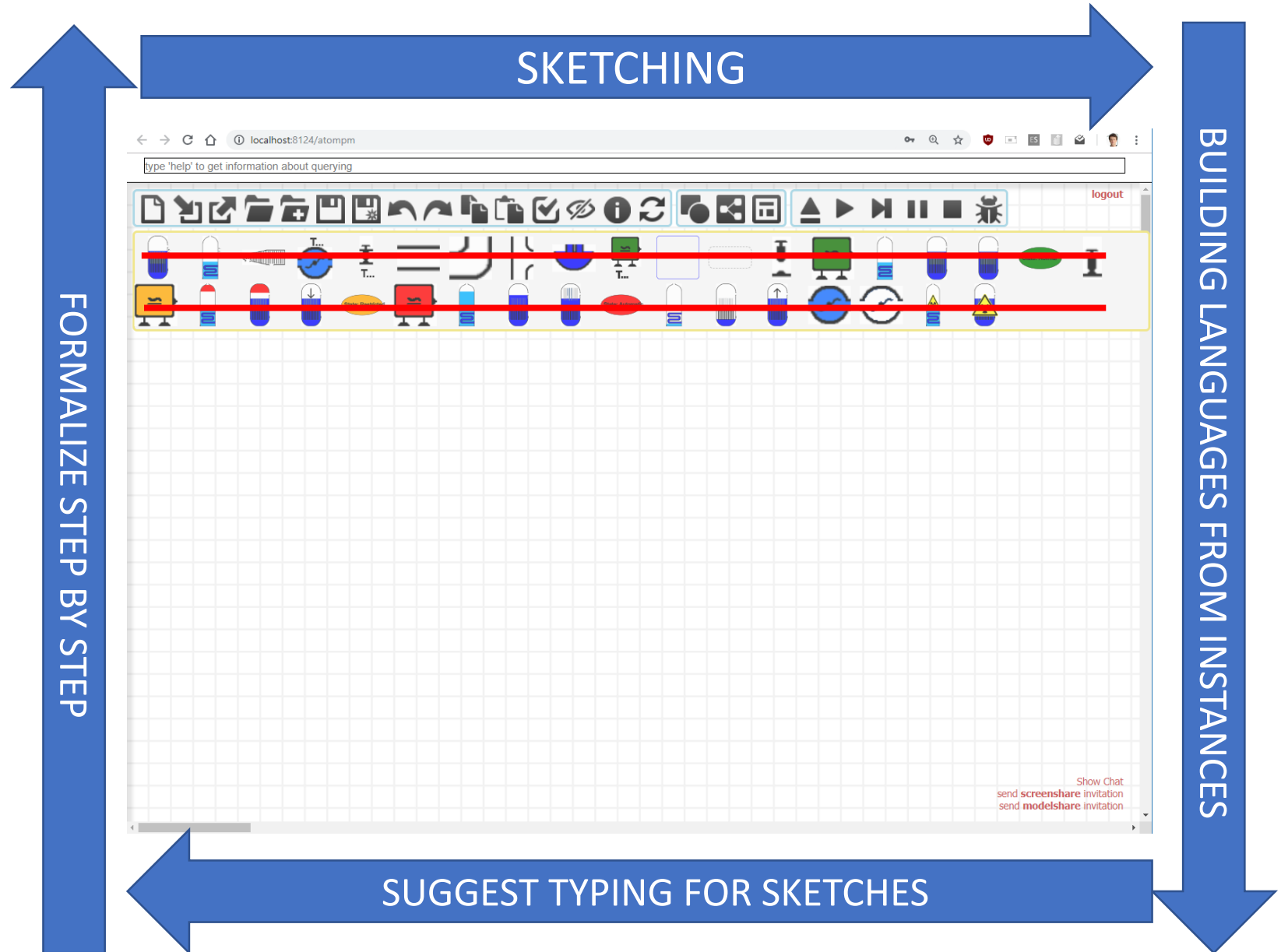
Simon Van Mierlo

Why?



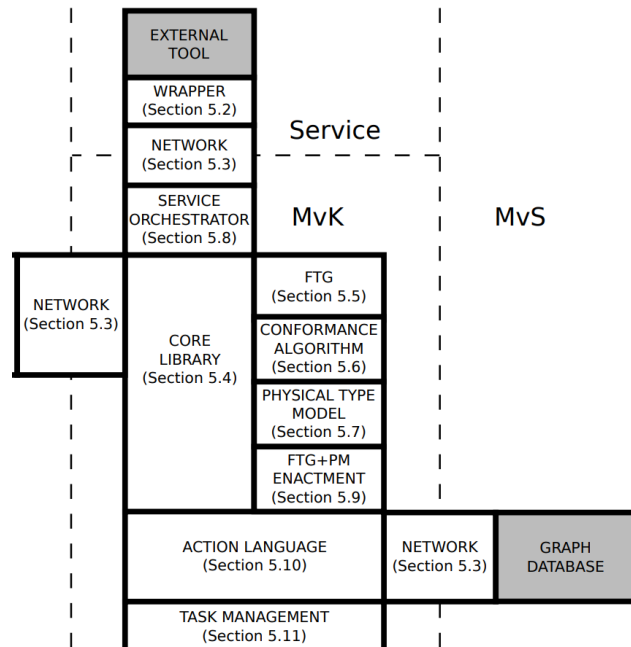
What?

Multi-Disciplinary Team



How?

Modelverse



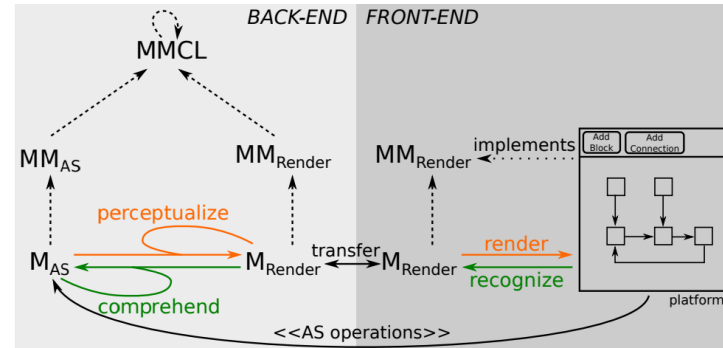
Co-Evolution

A-Posteriori Typing

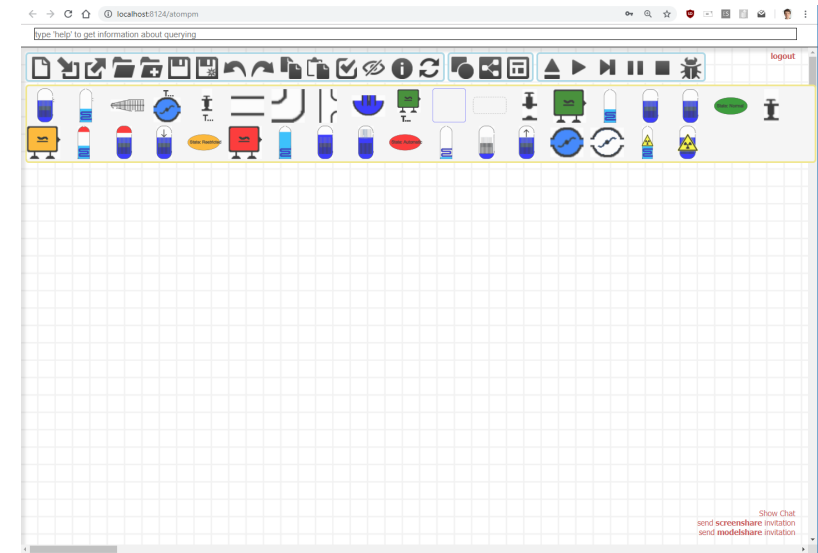
Query Existing Languages

Typing Suggestions

Concrete Syntax



Sketching Environment



Generic Sketching Language

Roadmap

- Low-Hanging Fruit:
 - First Prototype
- Next:
 - Couple to full-fledged drawing tool (Inkscape, SVGEdit, ...)
 - -> model explicitly the behaviour!
 - Bayesian reasoner for suggesting typings
 - Implement language querying in Modelverse
 - Co-Evolution